

EMAUX WATER TECHNOLOGY CO., LTD
ADDRESS: Flat A-D, 20/F., Kai Bo 22, 22 Wing Kin Road,
Kwai Chung, Hong Kong
PHONE +852 2832 9880
www.emauxgroup.com

 YOUR PREMIER SUPPLIER

Super-Power Pump

STRONG, RELIABLE, OUTSTANDING PERFORMANCE
For residential pool & spa



Available from:

 **Emaux**
water technology

   **SAA**

ALL SPECIFICATIONS ARE SUBJECT TO CHANGE WITHOUT NOTICE.
© 2021 EMAUX WATER TECHNOLOGY CO., LTD. ALL RIGHTS RESERVED.

www.emauxgroup.com

Pool & Spa Equipment

SIGNATURE COLLECTION

Product Information



Model : SPH Pump

Model : SPH 2-Speed pump

Engineered and built for pool professionals

Known for its reputation for innovation and based on market feedback, Emaux has developed the SPH Series by answering a call from pool professionals for a reliable, economical pump for new installations and retrofits.

2 Speed Pump

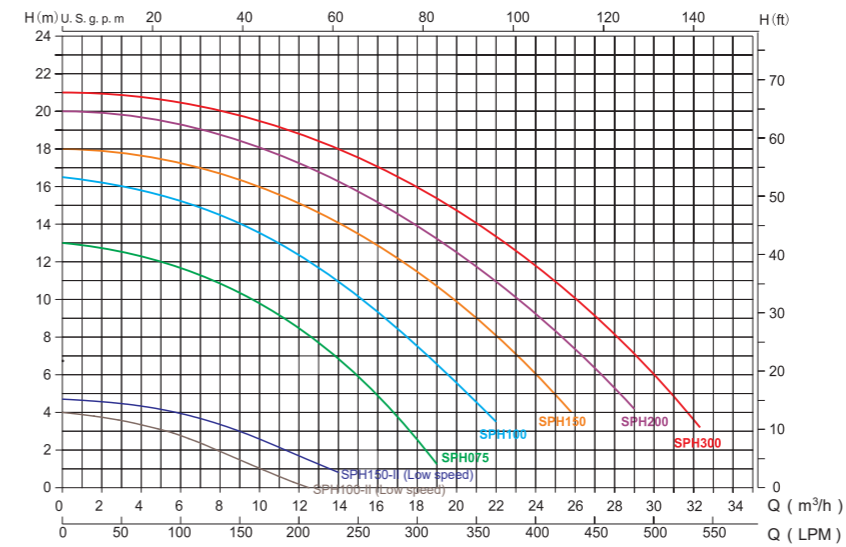
The newly released Super Power 2-speed pump represents a breakthrough in pool pump technology. The user is able to select a HIGH speed (2850rpm) or LOW speed (1450rpm) on the pump's control pad. The LOW-speed feature offers low energy consumption, low noise level, and a longer lifespan of the product.

- 2-speed models: Dual capacitors motor start wiring
- Handy control pad to select High or Low speed

Product Features

1. Asynchronous, two-pole motor
2. Class insulation 155(F)
3. Thermal over current protection
4. Pump casing glass fiber reinforced ABS + Impeller PPO, Strainer basket and base in PP + glass fiber
5. Motor shaft - 316 stainless steel, seal bellows - EPDM, stationary face - SIC, rotating face - Graphite, Spring - 316 stainless steel
6. Self-Priming up to 3.3m above water level
7. Testing pressure 50 PSI (3.5 Bar)
8. Basket Volume 2 litres
9. IPX5 Waterproof Standard
10. Ring lock seal design eliminates leaks and maximizes suction efficiency

Technical Information

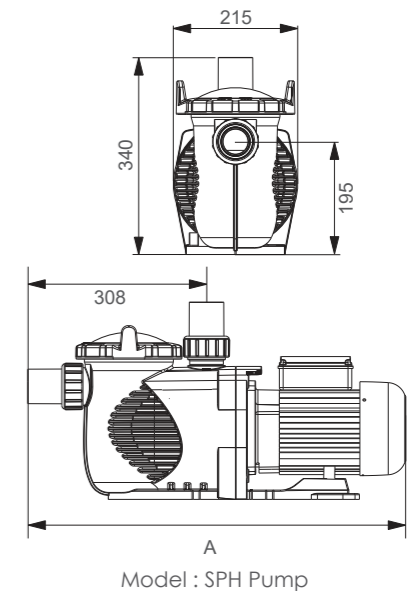


Remark: The performance curve above is for 50Hz models.

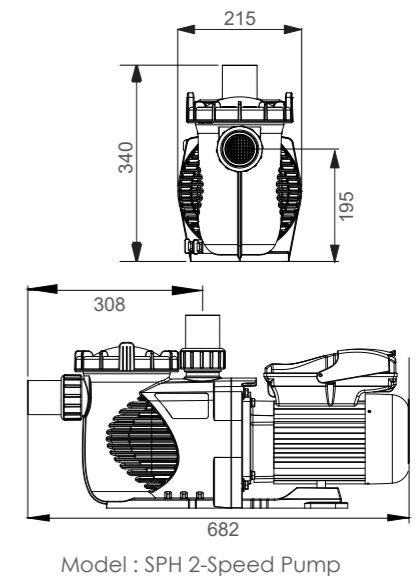
Model 50Hz	Input (kW)	Current (AMP)	Noise (dB)	Head (m)					
				6	8	10	12	14	16
SPH075	0.75	3.5	65	15	12.5	9.5	5	--	--
SPH100	1.10	5	65	19.5	17.5	15.2	12.5	9	3
SPH150	1.50	6.8	67	24	22	19.9	17.5	14	10
SPH200	1.80	8.2	67	27.5	25.5	23	21.7	18	14.5
SPH300	2.20	10	68	30	28.5	26	23.8	21	18
SPH100-II (High Speed)	1.10	5	65	19.5	17.5	15.2	12.5	9	3
SPH100-II (Low Speed)	0.3	1.3	52	--	--	--	--	--	--
SPH150-II (High Speed)	1.50	6.8	65	24	22	19.9	17.5	14	10
SPH150-II (Low Speed)	0.35	1.5	52	--	--	--	--	--	--

Code 220V/50Hz	Code 220V/60Hz	Model	Connection Size	Horsepower	Weight (kg)	Capacitance 220V	A (mm)
88029604	88029704	SPH075	1.5"(50mm)ID / 2"(63mm)OD	0.75hp	13.6	20µF	652
88029605	88029705	SPH100	1.5"(50mm)ID / 2"(63mm)OD	1.0hp	13.8	25 µF	652
88029607	88029707	SPH150	1.5"(50mm)ID / 2"(63mm)OD	1.5hp	14.0	25 µF	652
88029608	88029708	SPH200	1.5"(50mm)ID / 2"(63mm)OD	2.0hp	14.2	30 µF	652
88029609	88029709	SPH300	1.5"(50mm)ID / 2"(63mm)OD	3.0hp	14.5	35 µF	682
9023212	/	SPH100-II	1.5"(50mm)ID / 2"(63mm)OD	1.0hp	14.7	/	682
9023213	/	SPH150-II	1.5"(50mm)ID / 2"(63mm)OD	1.5hp	15.0	/	682

Product Dimensions



Model : SPH Pump



Model : SPH 2-Speed Pump