

M SERIES

TOP MOUNTED FILTER

WIDEST CHOICES FOR DIFFERENT POOL SIZES
For Residential And Semi-Commercial Pools

Bobbin-wound
Reinforced
Fiberglass Tank

Max Operating Pressure

60psi (4bar)

Max Temperature

43 °C (109 °F)

Suggested Size of Media

sand 0.5-0.8mm

Use HYPERPOOL Glass Sand Media

WARRANTY:

Multiport Valve & Fittings 1year

Filter Tank 5 years



Pool & Spa Equipment

Super Flow High Quality 6-ways Multiport

INSTRUCTION MANUAL

ADDRESS:

PHONE:

Available from:

Bobbin-wound fiberglass reinforced tank is still the most popular standard in the industry after all. With UV-resistant surface finished.

It is able to operate under prolonged sunlight for years of reliability.





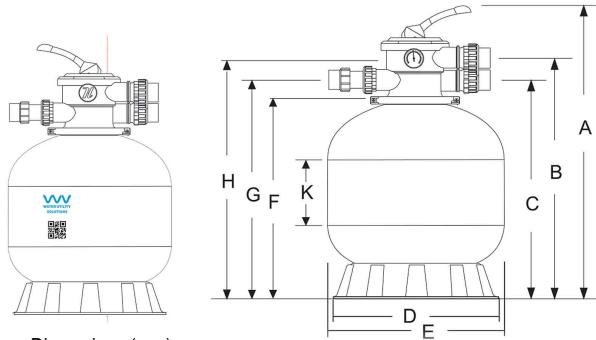
M Series Filters Are Manufactured By
Automatic bobbin winding technology from long-lasting and non-corrosive fiberglass and resin.
With UV-resistant surface finish, it is able to operate under prolonged sunlight for years of reliability.

Bobbin-Wound Filter

Is manufactured by computerized fiberglass filament winding technology. This provides the mechanical strength of the filter tank and its ability to withstand pressure.

Features And Benefits:

1. Tank Material: Bobbin-wound Reinforced Fiberglass
2. Max operating pressure **60psi / 4 bar**
3. Max temperature of 43°C (109°F)
4. Universal standard of union connection is provided
5. Suggested size of media : 0.5-0.8mm
6. Lateral system
7. Pressure gauge is provided
8. Equipped with 6-way clamp/bolt style multiport valve (1.5"MPV01, 2"MPV02, 2.5MPV12)

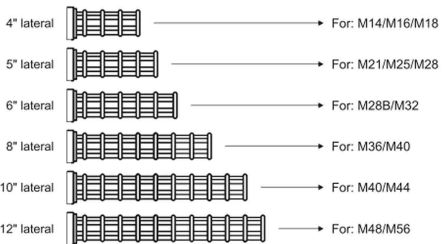
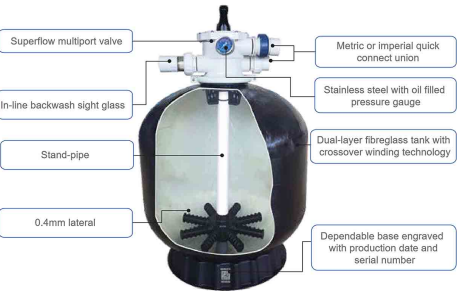


Dimensions (mm)

MODEL	mm											Packaging Size (Excluded MPV)			Valve (inch)
	A	B	C	D	E	F	G	H	K	Length	Width	Height			
M14	680	550	490	390	346	431	490	550	175	349	349	434	1.5"		
M16	770	614	585	390	410	525	585	641	230	413	413	528			
M18	810	674	614	390	454	558	614	674	280	457	457	561			
M21	867	731	671	497	534	615	671	731	240	537	537	618			
M25	967	831	771	497	635	715	771	831	280	638	638	718			
M28	1027	891	831	497	700	775	831	891	290	703	703	778			
M32	1180	1026	946	714	820	880	946	1026	320	823	823	883	2"		
M36	1285	1131	1051	720	920	985	1051	1131	320	823	823	988			
M40	1406	1252	1172	720	1016	1106	1172	1252	360	1019	1019	1109			
M44	1480	1350	1270	800	1092	1210	1270	1340	360	1095	1095	1213			
M48	1500	1450	1370	913	1210	1310	1370	1400	420	1213	1213	1313			
M56	1615	1565	1485	1200	1404	1425	1485	1575	590	1407	1407	1428			

Specifications

MODEL	Filter Area	Silica Sand			MODEL	Max. Flow Rate	Designed velocity	Max. Working Pressure		
		Inch / Mm (eu)	M2	mm					kg	lpm
M14	1.5"/50		0.1	175	20	M14	80	5	48	4 (60psi)
M16			0.13	230	30	M16	105	6		
M18			0.16	240	40	M18	133	8		
M21			0.23	280	85	M21	192	12		
M25			0.33	336	155	M25	270	16		
M28			0.38	348	210	M28	320	19		
M32	2"/63		0.5	384	250	M32	420	25		
M36			0.65	384	350	M36	500	30		
M40			0.79	432	600	M40	550	33		
M44			0.98	432	900	M44	630	38		
M48			1.13	504	1150	M48	700	42		
M56			1.54	708	1800	M56	960	57		

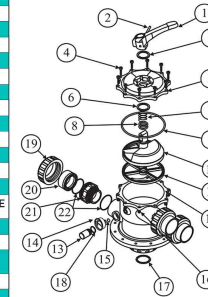


SuperFlow

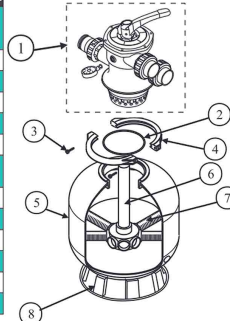
Multiport valve

SUPER Flow High Quality 6-WAYS MULTIPORT VALVE

ITEM	PART NO.	DESCRIPTION
1	10001	HANDLE
2	30121	LOCK PIN
3	10002	WASHER
4	30167	SCREW
5	10033	COVER
6	10003	WASHER
7	30120	SPRING
8	20002	O'RING
9	20008	O'RING OF COVER
10	10040	DIVERTOR HEAD
11	20009	GASKET
12	10034	BODY
13	10004	SIGHT GLASS
14	30002	PRESSURE GAUGE
15	20010	GASKET OF PRESSURE GAUGE
16	30162	NUT HEX
17	20011	O'RING
18	20011	O'RING FOR SIGHT GLASS
19	20015	UNION NUT
20	10043	UNION HEAD
21	10045	THREADED TAIL PIECE
22	20012	O'RING



ITEM	PART NO.	DESCRIPTION
1	2000-01	VALVE
2	2000-02	O'RING
3	2000-03	SCREW
4	2000-04	FLANGE CLAMP
5	2000-05	FILTER TANK
6	2000-06	LATERAL ASSEMBLY WITH CENTER PIPE
7	2000-07	LATERAL
8	2000-08	DRAIN
9	2000-09	FILTER SUPPORT STAND
10	2000-10	O'RING
11	2000-11	O'RING
12	2000-12	DRAIN CAP



MULTIPORT VALVE

Valve position	Function
FILTER	Normal Filtration and Vacuuming
BACKWASH	Cleaning Filter by reversing the flow
RINSE	Used after backwash to flush dirt from valve
WASTE	By-passes filter, used for vacuuming to waste or lowering water level
RECIRCULATE	By-passes filter for circulating water to pool
CLOSED	Shuts off all flow to filter or pool

